

STANDARD FEATURES

Compact envelope size, with maximum depth of 43mm to suit most bodywork structures

Protection to Ip65

Interchangeable pneumatic and electric switches
 Pneumatic micro switch 3/2 N/C function
 Pneumatic micro switch 3/2 N/O function
 Electric micro V3 type switch N/C or N/O function

Lightweight strong construction in non-corrosive material with wipe clean facias

OPTIONS

For Pressure Applied, Air Bleed or Electrical installations

Twin or single switches assemblies

Facias Flush mounted with raised or flush button inserts. Red, Green & black.

Suitable for multi button panel assembly applications

ELECTRICAL MICRO SWITCH

Terminals:
 Three 6.3mm quick tab connections

Electrical Rating:
 Recommended maximum 10A on 125 or 250Vac

Mechanical Life:
 In excess of 10 million operations

Operating Temperature:
 -10°C +70°C

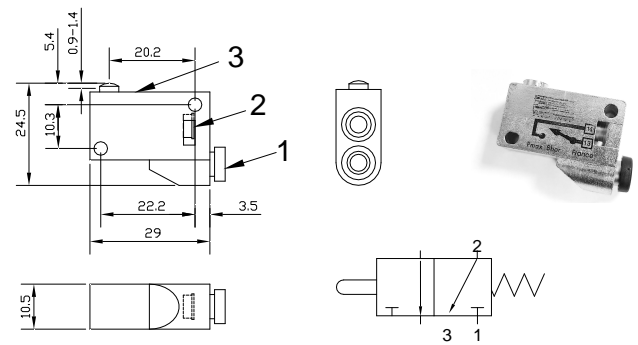
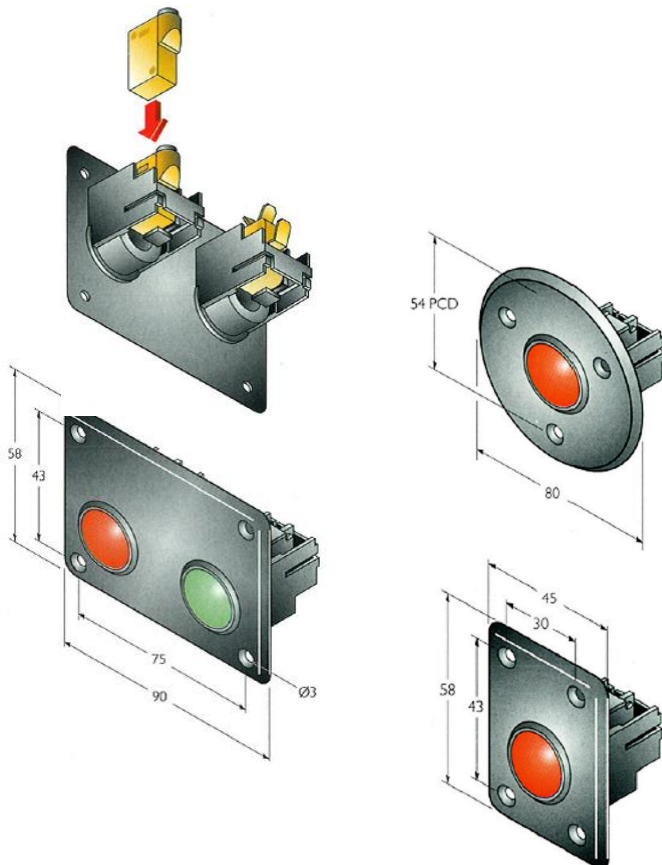
3/2 PNEUMATIC LIMIT SWITCH

Connections:
 2 x Ø4.0mm push in type

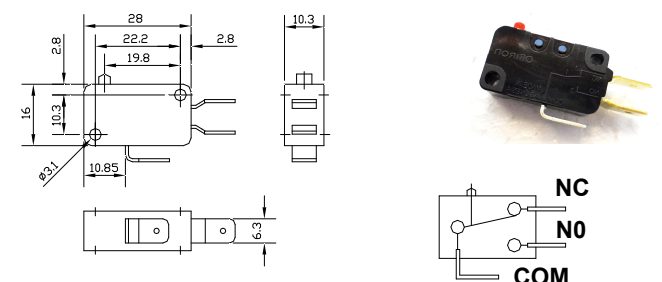
Operating Pressure:
 3 to 9 bar

Operating Temperature:
 -15°C +60°C

Mechanical Life:
 In excess of 10 million operations



PNEUMATIC 3/2 N/C LIMIT VALVE



ELECTRICAL MICRO SWITCH