

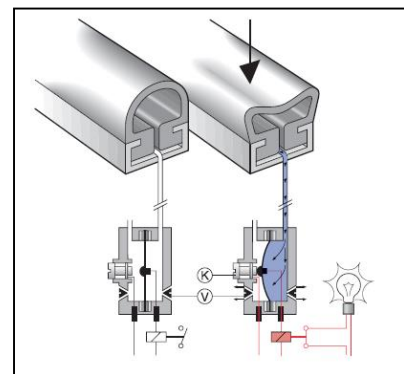
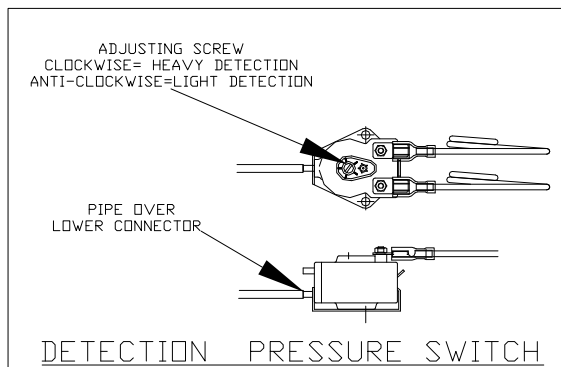
## DW40-Adjustable Pressure Wave Switch

For door systems using sensitive edge detection



### Principle operation of pressure switch

A pressure wave generated by the sensor reaches the pressure wave switch. The membrane deflects and the electric contact switches. The electric contact remains switched for as long as the input pressure is above the response pressure. With the contact (K) and valve screw (V) the switch's sensitivity can be set individually.



### Technical data

Response pressure 2 mbar  
 Max. pressure 150 mbar  
 Pressure equalisation 110 ml/min. at 2 mbar  
 Min./max. current 20 mA/500 mA (ACDC ohmic)  
 Min./max. operating voltage 24. 250 VAC, 24. 50 VDC  
 Output NC or NO  
 Mechanical service life 50 million switchings  
 Ambient temperature . 30°C to +70°C