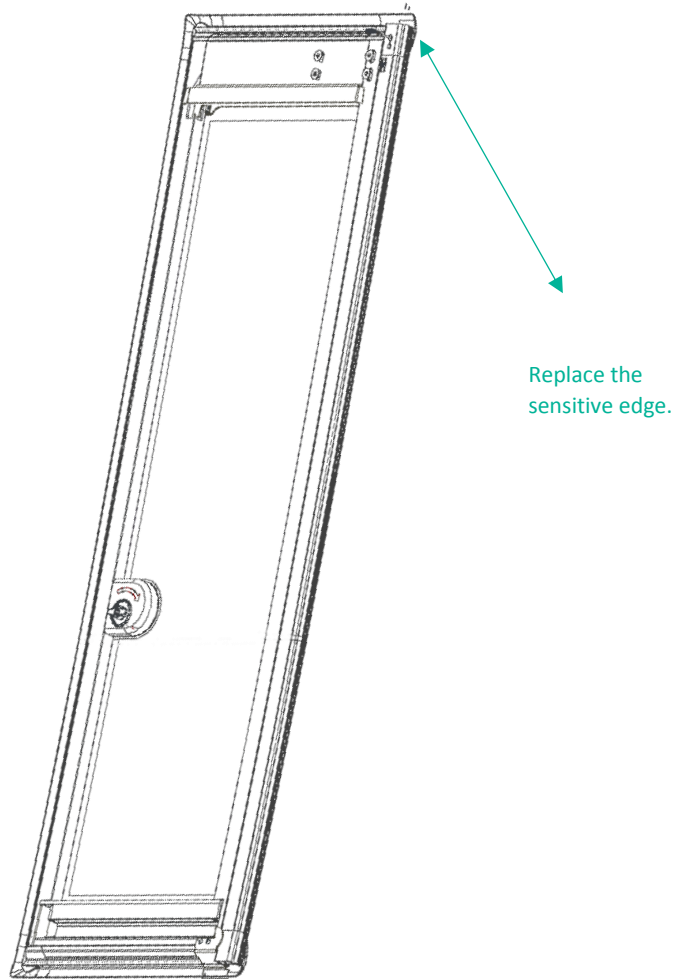


# Service instruction

## Replace sensitive edge of the (Separate) Plug Slide



Revision no.	Date	Description of changes	Changes made by	Position
2 2.1	06-05-2018	<ul style="list-style-type: none"> <li>- Added Separate in the title</li> <li>- Added tools and specified Loctite</li> <li>- Added option of draw wire</li> <li style="padding-left: 20px;">Page 3 note 2 added</li> <li>- Adjusted rounded to convex and hollow to concave.</li> <li>- Adjusted description of step 6.</li> <li>- Added cleaning and primer to step 5.11.</li> </ul>	M.O. Stoelinga	Technical documentation
1	05-04-2018	First release	M.O. Stoelinga	Technical documentation

**Title: Replace Sensitive edge (Separate) Plug Slide Door**

**1. Purpose:**

Replace the sensitive edge of a door leaf of the (Separate) Plug slide (PS) system.

**2. Tools:**

- 2.1. Draw wire or hook
- 2.2. Knife
- 2.3. Needle-nose pliers
- 2.4. Cutting pliers
- 2.5. Lubricant
- 2.6. Brush

**3. Parts:**

- 3.1. Sensitive edge
- 3.2. Connector

**4. Additional material:**

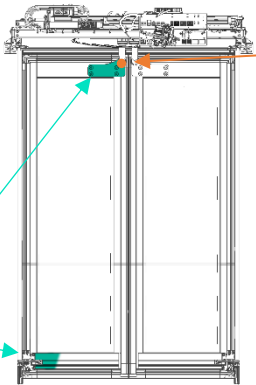
- 4.1. Loctite  
7063  
406  
770 (primer)
- 4.2. Tape

**5. Execution:**

*Notice. We recommend to execute this procedure with two persons.*

**Title: Replace Sensitive edge (Separate) Plug Slide Door**

**5.1**

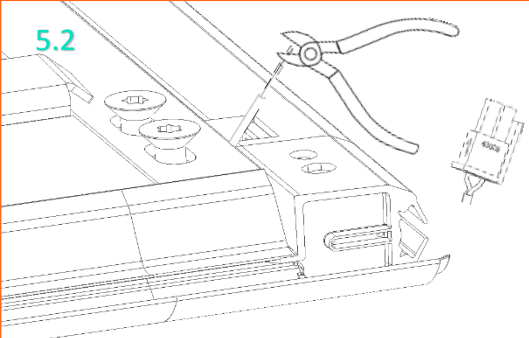


Remove the door leaf from the door mechanism and door shaft.

**NOTE**

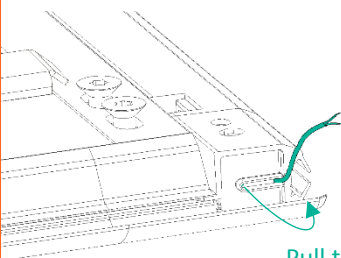
*Don't forget to disconnect the connector on the spiral cable.*

**5.2**



Disconnect the connector of the sensitive edge and cut off the connector.

**5.3** Top side of the door leaf.



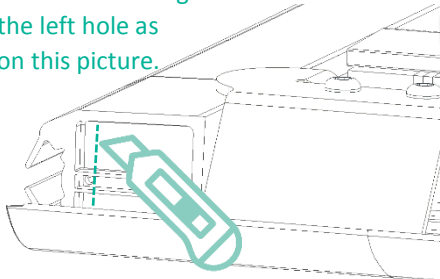
Pull the clipped cable from the rubber seal.

**NOTE**

*When working with a tension spring, attach it to the sensitive edge at this step.*

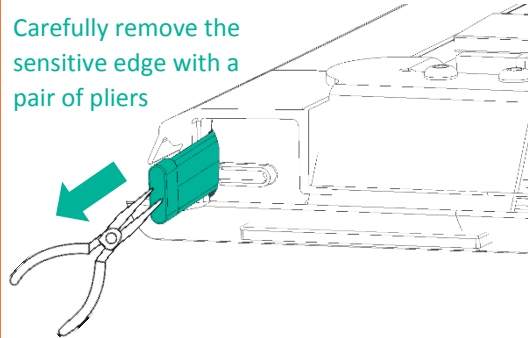
**5.4** Bottom side of the door leaf.

Cut the rubber on the right side of the left hole as shown on this picture.



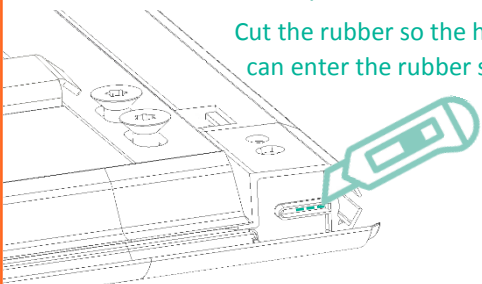
**5.5**

Carefully remove the sensitive edge with a pair of pliers

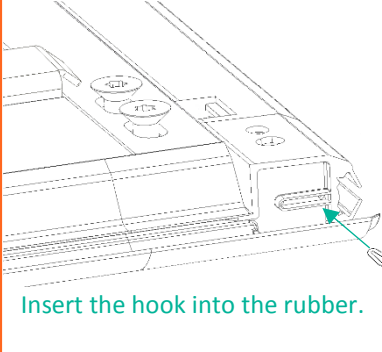


**5.6** Top side of the door leaf.  
 Skip this step in case of a draw wire and continue at step 5.8.

Cut the rubber so the hook can enter the rubber seal.



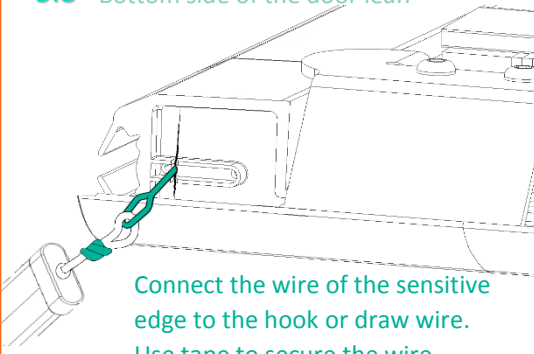
**5.7**



Insert the hook into the rubber.

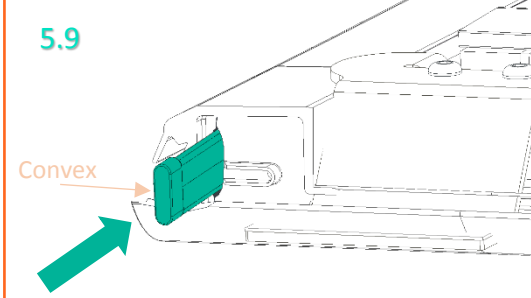
**Title: Replace Sensitive edge (Separate) Plug Slide Door**

**5.8** Bottom side of the door leaf.



Connect the wire of the sensitive edge to the hook or draw wire. Use tape to secure the wire.

**5.9**

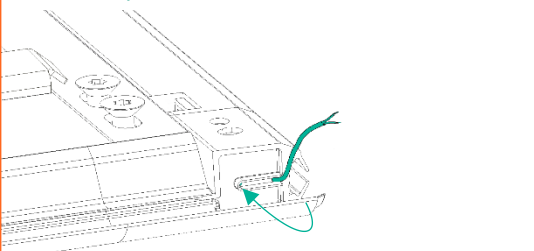


Carefully pull the sensitive edge all the way into the rubber with the hook (or draw wire). Use of lubricant is recommended.

**NOTE**

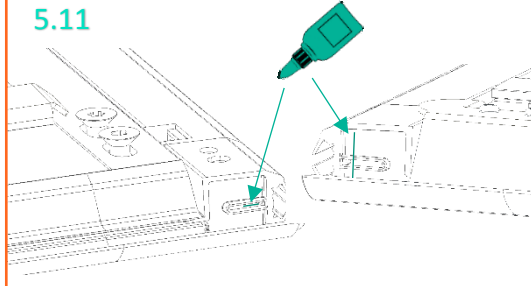
*The sensitive edge has a convex and a concave side. The convex side has to face the outside of the rubber.*

**5.10** Top side of the door leaf.



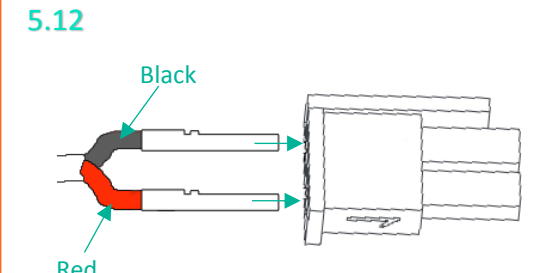
Disconnect the cable from the hook and insert it through the holes on top of the rubber.

**5.11**



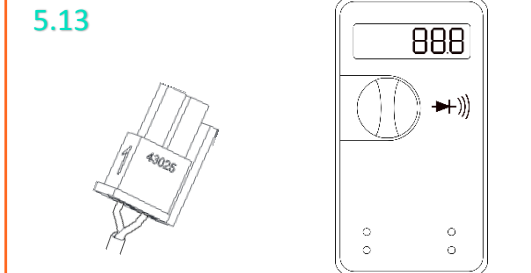
Apply cleaner and primer on cut edges. Glue the cuts on the bottom and top side. Be aware you do not glue the cable onto the rubber.

**5.12**



Connect the connector to the wires of the sensitive edge. The slot on the Molex must point towards the clip of the connector.

**5.13**

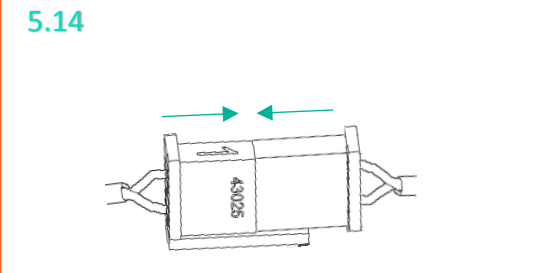


Measure the sensitive edge. When the sensitive edge is not pressed, the multimeter states ~8.2 kΩ. When pressed, it states <0.1 kΩ.

**WARNING!**

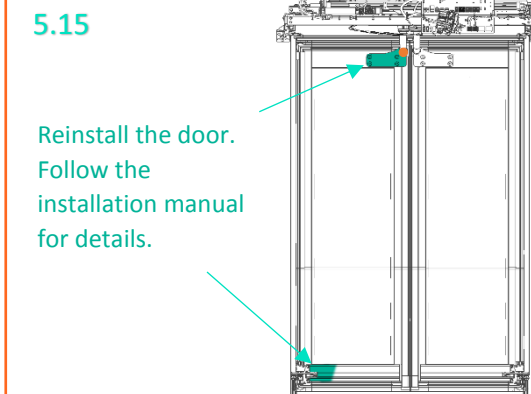
*When the multimeter indicates ∞ the sensitive edge is damaged. Do not continue installing the sensitive edge.*

**5.14**



Connect the connector and press the cable over length in the rubber of the door leaf.

**5.15**



Reinstall the door. Follow the installation manual for details.

**NOTE**

*Repeat the teach-in procedure of the DCU.*

**Title: Replace Sensitive edge (Separate) Plug Slide Door**

**6. Be aware:**

When there is too much pressure on the sensitive edge while pulling it into the rubber, it could break. Therefore we recommend to use lubricant while pulling the sensitive edge into the rubber seal.

Be sure the sensitive edge is as close as possible to the bottom of the rubber.

**7. Disposal:**

Dispose the old material following the environmental rules of your local government.