

TDS PRODUCT IMAGE SHEET – CATEGORY > **CYLINDER/RAMS**

Image	TDS Part Number & Description	OE & Alternative Part References (WHERE FITTED)
	<p>CYL001A Ø63=Bore x 85=Stroke BOSCH PNEUMATIC CYLINDER (SILVER FINISH) M16x1.5 MALE ROD END # SEE REPLACEMENT CYL001U-12</p>	<p>216993-64 Peters LIMITED REFURB STOCK ONLY</p>
	<p>CYL001B Ø63 x 85str FESTO PNEUMATIC CYLINDER M16x1.5 MALE ROD END</p>	<p>218073 Peters LIMITED REFURB STOCK ONLY</p>
	<p>CYL001-RK Ø63 BORE CYLINDER SEAL REPAIR KIT For old Peters Cylinders 216365, 216366, 216367 & 216589</p>	<p>216366-RK Peters</p>
	<p>CYL001U-12 Ø63 x 85str TDS UNIVERSAL PNEUMATIC CYLINDER M16x1.5 MALE ROD END # Cylinder seal repair kit for above only = CYL202U-RK</p>	<p>CYL001U-12 FOR PETERS CYLINDERS REPLACEMENT:- 214443 Peters 216366 Peters 216993-64 Peters 217430-002 Peters</p>
	<p>CYL003A Ø63 x 156str BOSCH PNEUMATIC CYLINDER (BRONZE FINISH) M16x1.5 MALE ROD END # Cylinder seal repair kit for above only = CYL003A</p>	<p>216993-01 Peters 216993-03 Peters</p>
	<p>CYL003-RK Ø63 BORE CYLINDER SEAL REPAIR KIT – For old Peters Bosch Bronze finished Cylinders 216993-03, 216993-04</p>	<p>N/A Peters</p>

	<p>CYL004-11 Ø63 x 85str TDS UNIVERSAL PNEUMATIC CYLINDER KIT. M16x1.5 MALE ROD END # Cylinder seal repair kit for above only = CYL200U-RK</p>	<p>TDCYL004U-11 FOR PETERS CYLINDERS REPLACEMENT:- 216993-04 <i>Peters</i> (EAST LANCS OMNIDEKKA)</p>
	<p>CYL005A Ø63 BORE CYLINDER SEAL REPAIR KIT – For old Peters Bosch Silver Cylinders 216993-64 & 216993-04</p>	<p>216993-85 <i>Peters</i> 216993-04R <i>Peters</i></p>
	<p>CYL007-DNC-KIT Ø63 x 100str FESTO PNEUMATIC CYLINDER ASSY M16x1.5 MALE ROD END NO REPAIR KIT AVAILABLE</p>	<p>CYL007-DNC-KIT <i>TDS</i> # SEP13 > REPLACED BY CYL007U-11-KIT (EARLIER TDS DOOR OPTARE VEHICLES)</p>
	<p>CYL007U-11 Ø63 x 100str TDS PNEUMATIC BASE CYLINDER M16x1.5 MALE ROD END # Cylinder seal repair kit for above only = CYL203U-RK</p>	<p>CYL007-11 <i>TDS</i> # SEP13 > REPLACED CYLINDER ASSY CYL007B with bracket CYL008B (LATER TDS DOOR OPTARE VEHICLES)</p>
	<p>CYL007U-11-KIT Ø63 x 100str TDS PNEUMATIC CYLINDER ASSY M16x1.5 MALE ROD END # Cylinder seal repair kit for above only = CYL203U-RK</p>	<p>CYL007-11-KIT <i>TDS</i> # SEP13 > REPLACED CYL007-DNC-KIT #2018 > SEE CYL075U-11 (LATER TDS DOOR OPTARE VEHICLES)</p>
	<p>CYL008B REAR BRACKET Ø16 USED FOR CYL007-DNC-KIT ONLY TDS Ø63 BORE CYLINDER</p>	<p>CYL008B <i>TDS</i> (EARLIER TDS DOOR OPTARE VEHICLES)</p>
	<p>CYL009A Ø16 x 25str MINI ISO CYLINDER NO REPAIR KIT AVAILABLE</p>	<p>216993-76 <i>Peters</i></p>

	<p>CYL010U-11 Ø63 x 125str TDS UNIVERSAL PNEUMATIC CYLINDER 7/16" UNF FEMALE THREADED END <i># Cylinder seal repair kit for above only = CYL200U-RK</i></p>	<p>CYL010U-11 FOR DEANS CYLINDERS REPLACEMENT:- 031130 <i>Deans</i> 046101 <i>Deans</i> 75-24209 <i>Deans</i></p>
	<p>CYL010-RK-KIT Ø63 BORE CYLINDER REPAIR KIT Only for old Deans parker cylinders 031130, 039039 & 046101</p>	<p>039039 <i>Deans</i></p>
	<p>PNE029U-RK SEAL REPAIR KIT FOR INTERNAL FLOW CONTROL VALVE USED ON PARKER CYLINDERS</p> 	<p><i>Deans/Peters</i></p>
	<p>BRK011-ADJ REAR BRACKET Ø16 For Ø63 bore CYLINDER: CYL010U older design deans 046101</p>	<p>BRK011-ADJ <i>TDS</i></p>
	<p>BRK046-ASY REAR BRACKET Ø12 (V.S) Rubber Bush for Ø50 Bore Cylinder+ M8 Fixings</p>	<p>BRK046-ASY <i>TDS</i></p>
	<p>CYL011U Ø63 x 75str TDS UNIVERSAL PNEUMATIC CYLINDER M16x1.5 MALE ROD END <i># Cylinder seal repair kit for above only = CYL202U-RK</i></p>	<p>CYL011U FOR PETERS CYLINDER REPLACEMENT:- 214442 <i>Peters</i></p>
	<p>CYL011U-12 Ø63 x 75str TDS UNIVERSAL PNEUMATIC CYLINDER M16x1.5 MALE ROD END <i># Cylinder seal repair kit for above only = CYL202U-RK</i></p>	<p>CYL011U-12 FOR PETERS CYLINDER REPLACEMENT:- 200551 <i>Peters</i> 214442 <i>Peters</i> 217430-001 <i>Peters</i></p>

	<p>CYL013U Ø63 x 125str TDS UNIVERSAL PNEUMATIC CYLINDER M16x1.5 MALE ROD END # Cylinder seal repair kit for above only = CYL202U-RK</p>	<p>CYL013U FOR PETERS CYLINDER REPLACEMENT:- 214444 <i>Peters</i></p>
	<p>CYL014-RK-KIT Ø63 BORE FULL CYLINDER SEAL REPAIR KIT Only for old Deans parker cylinders 031129 & 046098</p>	<p>046097 <i>Deans</i></p>
	<p>CYL021U-11 Ø63 x 76str TDS UNIVERSAL PNEUMATIC CYLINDER 7/16" UNF FEMALE THREADED END # Cylinder seal repair kit for above only = CYL200U-RK</p>	<p>CYL021U-11 FOR DEANS CYLINDERS REPLACEMENT:- C23267 <i>Deans</i> 024208 <i>Deans</i> 031129 <i>Deans</i> 046098 <i>Deans</i></p>
	<p>CYL021U-14 Ø63 x 76str TDS UNIVERSAL PNEUMATIC CYLINDER 7/16" UNF FEMALE THREADED END # Cylinder seal repair kit for above only = CYL200U-RK</p>	<p>CYL021U-14 FOR DEANS CYLINDERS REPLACEMENT:- D18541 <i>Deans</i> 018541</p>
	<p>CYL022U-11 Ø63 x 80str RP=345 TDS UNIVERSAL PNEUMATIC CYLINDER M12x1.75 FEMALE THREADED END # Cylinder seal repair kit for above only = CYL200U-RK</p>	<p>CYL022U-11 FOR OVERTON & KV CYLINDERS REPLACEMENT:- KNSC 063 058 080 <i>Overton</i></p>
	<p>CYL024U-11 Ø63 x 100str RP=365 TDS UNIVERSAL PNEUMATIC CYLINDER M12x1.75 FEMALE THREADED END # Cylinder seal repair kit for above only = CYL202U-RK</p>	<p>CYL024U-11 FOR OVERTON/KNSC CYLINDERS REPLACEMENT:- <i>Overton</i> KNSC 063 054 0100 KNSC 063 120 0100 KNSC 063 084 0100 KNSC 063 058 0100 KNSC 063 058 0114</p>

	<p>CYL024U-11-01 Ø63 x 100str RP=365 TDS UNIVERSAL PNEUMATIC CYLINDER M12x1.75 FEMALE SPH ROD END # Cylinder seal repair kit for above only = CYL202U-RK</p>	<p>CYL024U-11-01 FOR ISAF CYLINDERS REPLACEMENT:- 2911.01.0 ISAF (USED ON ISAF DOOR IN OPTARE VEHICLES)</p>
	<p>CYL026U Ø63 x 156str TDS UNIVERSAL PNEUMATIC CYLINDER M10x1.5 FEMALE THREADED END # Cylinder seal repair kit for above only = CYL202U-RK</p>	<p>CYL026U FOR PETERS CYLINDERS REPLACEMENT:- 215011 Peters 215046 Peters</p>
	<p>CYL026U-12 Ø63 x 156str TDS UNIVERSAL PNEUMATIC CYLINDER M10x1.5 FEMALE THREADED END # Cylinder seal repair kit for above only = CYL202U-RK</p>	<p>CYL026U-12 FOR PETERS CYLINDERS REPLACEMENT:- 216367 Peters</p>
	<p>CYL027U Ø63 x 125str TDS UNIVERSAL PNEUMATIC CYLINDER M10x1.5 FEMALE THREADED END # Cylinder seal repair kit for above only = CYL202U-RK</p>	<p>CYL027U FOR PETERS CYLINDERS REPLACEMENT:- 214853 Peters</p>
	<p>CYL028U-KIT Ø50 x 90str TDS UNIVERSAL PNEUMATIC CYLINDER M14x1.5 MALE ROD END Supplied with proximity switch mount clips & M14x1.5 nuts # Cylinder seal repair kit for above only = CYL201U-RK</p>	<p>CYL028U-KIT FOR DEANS CYLINDERS REPLACEMENT:- 0101517 Deans BELT DRIVE VERSION H108167 Deans</p>
	<p>CYL029U-KIT Ø50 x 140str TDS UNIVERSAL PNEUMATIC CYLINDER M14x1.5 MALE ROD END Supplied with proximity switch mount clips # Cylinder seal repair kit for above only = CYL201U-RK</p>	<p>CYL029U-KIT FOR DEANS CYLINDERS REPLACEMENT:- 0101538 Deans H108271 Deans</p>
	<p>CYL030U-11 Ø63 x 76str TDS PNEUMATIC CYLINDER+BRKT M12x1.75 FEMALE THREADED END # Cylinder seal repair kit for above only = CYL202U-RK</p>	<p>CYL030-11 TDS (DENNIS EAGLE DUSTCART)</p>

	<p>CYL034U-11 Ø63 x 80str RP365 TDS UNIVERSAL PNEUMATIC CYLINDER M12x1.75 FEMALE THREADED END # Cylinder seal repair kit for above only = CYL202U-RK</p>	<p>CYL034U-11 FOR OVERTON & KV CYLINDERS REPLACEMENT:- KNSC 063 056 080 <i>Overton</i></p>
	<p>CYL035U-11-KIT Ø63 x 76str TDS PNEUMATIC CYLINDER ASSY M16x1.5 MALE ROD END # Cylinder seal repair kit for above only = CYL203U-RK</p>	<p>CYL035-11-KIT TDS (OPTARE SOLO SA EXPORT EXIT DR)</p>
	<p>CYL037U-11 OLD STYLE UP TO 20.05.2016 Ø63 x 150str TDS UNIVERSAL PNEUMATIC CYLINDER M12x1.75 FEMALE THREADED END # Cylinder seal repair kit for above only = CYL202U-RK</p>	<p>0101495 <i>Deans</i></p>
	<p>CYL037U-11 Ø63 x 150str TDS UNIVERSAL PNEUMATIC CYLINDER M12x1.75 FEMALE THREADED END FROM 23.05.2016 # Cylinder seal repair kit for above only = CYL200U-RK</p>	<p>CYL037U-11 FOR DEANS CYLINDERS REPLACEMENT:- 0101495 <i>Deans</i></p>
	<p>CYL041 Ø100 BORE BODE VERTICAL CYLINDER # Cylinder seal repair kit for above only = CYL041-RK Cylinder replaced by CYL058 a MASATS cylinder 101102DO</p>	<p>720-2002-301 <i>Bode</i></p>
	<p>CYL041-RK Ø100 BORE BODE OR MASATS CYLINDER REPAIR KIT Only for cylinders 720-202-301, CYL041</p>	<p>For use on Cylinders > 720-2002-301 <i>Bode Masats</i></p>
	<p>CYL042-RK Ø50 BORE CYLINDER REPAIR KIT -(PARKER) Only for Deans parker cylinders 0101517, H108167, 0101538, H108271</p>	<p><i>Deans</i></p>

	<p>CYL045B Ø32 x 80str O.E CYLINDER COMPACT (PETERS PLUG SLIDER) # RODEND = BRG085</p>	<p>218073-010 <i>Peters</i> EAST LANCS DD</p>
	<p>CYL046 Ø40 x 115str O.E ISO CYLINDER(DEANS PLUG SLIDER)</p>	<p>0100316 <i>Deans</i> ADL E200</p>
	<p>CYL050-100-01 12V x 100 E-DRIVE CYLINDER ASSY (INCL RODEND/PULLEY/PLATE)</p>	<p>CYL050-100-01 <i>TDS</i> TREKA BUS 16</p>
	<p>CYL053-01 Ø50 x 140str WABCO U-BOLT CYLINDER M14x1.5 MALE ROD END # Cylinder seal repair kit for above only = CYL053-01RK</p>	<p>422-812-0000 <i>Wabco</i> CITARO</p>
	<p>CYL053-01RK Ø50 BORE CYLINDER REPAIR KIT For WABCO U-bolt type cylinder CYL053-01</p>	<p>422-812-0002 <i>Wabco</i> CITARO</p>
	<p>CYL054U Ø63 x 125str TDS UNIVERSAL PNEUMATIC CYLINDER M16x1.5 MALE ROD END # Cylinder seal repair kit for above only = CYL202U-RK</p>	
	<p>CYL058 Ø100 BORE MASATS VERTICAL CYLINDER (CYL058 REPLACES CYL041U) # Cylinder seal repair kit for above = (CYL058-RK) Now use CYL041RK</p>	<p>101102D0 <i>Masats</i></p>

 <p>IMAGE TO FOLLOW</p>	<p>CYL058-RK Ø100 BORE CYLINDER SEAL REPAIR KIT for MASATS Cylinder 101102DO *USE CYL041-RK*</p>	<p>1111DOD Masats</p>
	<p>CYL059 Ø60 x 140str CYLINDER WABCO U-BOLT TYPE M16x1.5 MALE ROD END NO REPAIR KIT AVAILABLE</p>	<p>422 808 1060 Wabco</p>
	<p>CYL065 PNEMATIC CYLINDER FOR LOCK SYSTEM</p>	<p>120016CO Masats</p>
	<p>CYL068 NIGHT LOCK CYLINDER</p>	<p>130022CO Masats</p>
	<p>CYL069 Ø80 x 142str CYLINDER # Cylinder seal repair kit for above only = CYL069-RK</p>	<p>180142H0 Masats</p>
	<p>CYL069-RK Ø80 BORE CYLINDER SEAL REPAIR KIT for cylinder 180142H0</p>	<p>1009700C Masats</p>
	<p>CYL070-RK Ø32 BORE LOCKING CYLINDER SEAL REPAIR KIT – MASATS LOCKING CYLINDER</p>	<p>1003620A Masats</p>

	<p>CYL071U Ø63 x 156str TDS PNEUMATIC BASE CYLINDER FEMALE M12x1.75 THREADED END # Cylinder seal repair kit for above only = CYL202U-RK</p>	<p>CYL075U TDS</p>
	<p>CYL075U-11 Ø63 x 100str TDS PNEUMATIC BASE CYLINDER M16x1.5 MALE ROD END # Cylinder seal repair kit for above only = CYL202U-RK</p>	<p>CYL075U-11 TDS # MAR18 > REPLACED CYL007U-11 (LATER TDS DOOR OPTARE VEHICLES)</p>
	<p>CYL075U-11-KIT Ø63 x 100str TDS PNEUMATIC CYLINDER ASSY M16x1.5 MALE ROD END # Cylinder seal repair kit for above only = CYL202U-RK</p>	<p>CYL075U-11-KIT TDS # MAR18 > REPLACED CYL007U-11-KIT (LATER TDS DOOR OPTARE VEHICLES)</p>
	<p>CYL078 Ø125 RACK & PINION PNEUMATIC CYLINDER # Cylinder seal repair kit for above only = CYL079-RK</p>	<p>102147A0 Masats</p>
		
	<p>CYL079 MASATS CYLINDER 120016A0</p>	<p>120016A0 Masats</p>
	<p>CYL079-RK Ø125 Bore rack & pinion Cylinder seal repair kit for CYL078 Cylinder :102147A0)</p>	<p>1009202A Masats</p> <hr style="border-top: 1px dashed black;"/> 

	<p>CYL080-RK Ø100 Bore rack & pinion cylinder repair kit for BODE 720-3036-101 BODE 720-3036-201 MASATS 101154CO</p>	<p>1009107B <i>Masats</i></p> <hr style="border-top: 1px dashed black;"/> 
 <p style="text-align: center; font-size: small;">CYL200U-RK</p>	<p>CYL200U-RK Ø63 Bore TDS universal cylinder seal repair kit ONLY for models: CYL004U, CYL010U, CYL021U, CYL022U, CYL030U, CYL033U, CYL037U, CYL049U</p>	<p>CYL200U-RK <i>TDS</i></p>
 <p style="text-align: center; font-size: small;">CYL201-RK</p>	<p>CYL201U-RK Ø50 Bore TDS universal cylinder seal repair kit ONLY for models: CYL028U, CYL029U</p>	<p>CYL201U-RK <i>TDS</i></p>
	<p>CYL202U-RK Ø63 Bore TDS universal cylinder seal repair kit ONLY for models: CYL001U, CYL011U, CYL013U, CYL024U, CYL026U, CYL027U, , CYL034U, CYL038U, CYL039U, CYL054U, CYL057U, CYL071U</p>	<p>CYL202U-RK <i>TDS</i></p>
 <p style="text-align: center;">IMAGE TO FOLLOW</p>	<p>CYL203U-RK Ø63 Bore TDS universal cylinder seal repair kit ONLY for models: CYL007U, CYL035U, CYL048U</p>	<p>CYL203U-RK <i>TDS</i></p>
	<p>CYL240-450 Ø40 x 450 STROKE RODLESS CYLINDER (PETERS PLUG SLIDER)</p>	<p>218073-011 <i>Peters</i> EAST LANCS DD</p>
	<p>CYL240-535-RK Ø40 x 535 STROKE RODLESS CYLINDER REFURBISHED UNIT (ORIGINAL DIRTY UNIT NEEDED) # SEAL REPAIR KIT = CYL240-RK</p>	<p>0101621 <i>Deans</i> ADL E200 SD</p>

	<p>CYL240-615-RK Ø40 x 615 STROKE RODLESS CYLINDER REFURBISHED UNIT (ORIGINAL DIRTY UNIT NEEDED) # SEAL REPAIR KIT = CYL240-RK</p>	<p>0108290 <i>Deans</i></p>
	<p>CYL240-RK CYLINDER SEAL/BAND FULL REPAIR KIT - PKR RODLESS 40BORE</p>	<p>Repair Kits for > 0101621 <i>Deans</i> 0108290 <i>Deans</i></p>
	<p>CYL400-001 12v GEAR BOX-ASSY 700232-T2</p>	<p>B700232 <i>BCE</i></p>
	<p>KIT013 ACTUATOR REAR FIXING KIT A</p>	<p>KIT013 <i>TDS</i></p>
	<p>A723 FORK JOINT 16x32 M16 IG CYLINDERS</p>	<p>A723 <i>Ventura</i> ALL IG CYLINDERS</p>
	<p>A725 SPRING PIN (USED ON FORK A723)</p>	<p>A725 <i>Ventura</i> ALL IG CYLINDERS</p>
	<p>C290 FORK JOINT</p>	<p>C290 <i>Ventura</i></p>


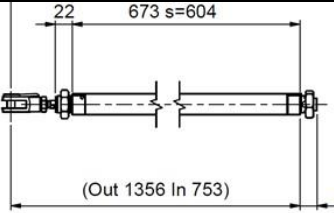
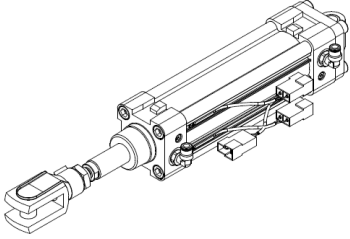

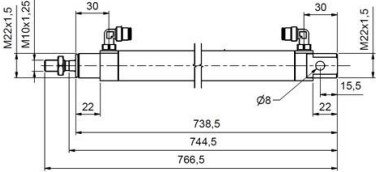
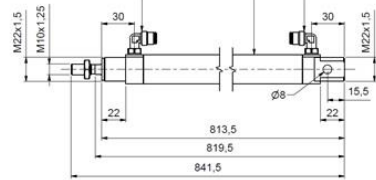

	<p>C434 Ø32x730 BASE PS RODLESS CYLINDER (used for D622/F168)</p>	<p>C434 <i>Ventura</i></p>
	<p>D436 Ø63x160 ASSY CYLINDER (IG) # SEAL REPAIR KIT = VA2982</p>	<p>D436 <i>Ventura</i></p>
	<p>D622 Ø32x1170 RODLESS CYLINDER ASSY (PS)</p>	<p>D622 <i>Ventura</i> PLAXTON PRESIDENT DD PS</p>
	<p>E321 Ø32x100 CYLINDER ISO-VDMA</p>	<p>E321 <i>Ventura</i> ADLE200EV, Polish Scania Omnicity DD IG3 (OLD)</p>
	<p>E328 Ø32x895 BASE RODLESS CYLINDER (E820/VA3604)</p>	<p>E328 <i>Ventura</i> WRIGHTBUS ECLIPSE SD PS + GEMINI DD PS (LATER) + STREETLITE SD PS + STREETCAR PS, NBFL RS OPTARE TEMPO SD PS</p>
	<p>E820 Ø32x895 ASSY RODLESS CYLINDER (PS) TDS REFURB SERVICE = E820-RK # BASE CYLINDER = E328 # SEAL REPAIR KIT = K586</p>	<p>E820 <i>Ventura</i> WRIGHTBUS ECLIPSE SD PS + GEMINI DD PS (LATER) + STREETLITE SD PS + STREETCAR PS, OPTARE TEMPO SD PS</p>
	<p>F168 Ø32x730 ASSY RODLESS CYLINDER (PS) TDS REFURB SERVICE = F168-RK # SEAL REPAIR KIT = K587</p>	<p>F168 <i>Ventura</i> WRIGHTBUS GEMINI DD PS (OLDER)</p>

	<p>F922 Ø32x795 ASSY RODLESS CYLINDER (PS) TDS REFURB SERVICE = F922-RK # SEAL REPAIR KIT = K585</p>	<p>F922 <i>Ventura</i> POLISH SCANIA OMNICITY DD PS</p>
	<p>G920 RODLESS CYLINDER ASSY</p>	<p>G920 <i>Ventura</i></p>
	<p>H836-RK Ø50 BORE SEAL REPAIR KIT FOR FESTO CYLINDERS > H774, H836, H837</p>	<p>H836-RK <i>Ventura</i> ALL IG DOORS PRE 2011</p>
	<p>H836 Ø50x125 IG DOOR CYLINDER LH ASSY # NEW ASSY P/N = U345 # FESTO SEAL REPAIR KIT = H836-RK</p>	<p>H836 <i>Ventura</i> BASE CYL REPLACED BY P540 SEP11 > WRIGHTBUS ECLIPSE SD IG3 + GEMINI DD IG3, ADL E200 SD IG3 + E300 SD IG3 + E400 DD IG3, EAST LANCS SD IG3 + OLYMPUS DD IG3, MCV SD 112/124RLE IG4</p>
	<p>H837 Ø50x125 IG DOOR CYLINDER RH ASSY # NEW ASSY P/N = U344 # FESTO SEAL REPAIR KIT = H836-RK</p>	<p>H837 <i>Ventura</i> BASE CYL REPLACED BY P540 SEP11 > WRIGHTBUS ECLIPSE SD IG3 + GEMINI DD IG3, ADL E200 SD IG3 + E300 SD IG3 + E400 DD IG3, EAST LANCS SD IG3 + OLYMPUS DD IG3, MCV SD 112/124RLE IG4</p>
	<p>H840 Ø63x250 DOOR CYLINDER ASSY (IG3)</p>	<p>H840 <i>Ventura</i></p>
	<p>H895 Ø25x25 MINI CYLINDER ESN-25-25-P (5102)</p>	<p>H895 <i>Ventura</i></p>

	<p>I027 Ø50x125 CUSH EXTEN DOOR CYLINDER ASSY (IGP) # REPLACED BY P540 # SEAL REPAIR KIT = H836-RK</p>	<p>I027 <i>Ventura</i> POLISH SCANIA OMNICITY DD IG3 (LATER)</p>
	<p>I486 Ø32x795 RODLESS CYLINDER ASSY (PSP) TDS REFURB SERVICE = I486-RK # SEAL REPAIR KIT = K585</p>	<p>I486 <i>Ventura</i> ADL E200 SD PS + E400 DD PS, EAST LANCS SD PS + OLYMPUS DD PS, OPTARE VERSA SD PS, MCV EVOLUTION SD PS</p>
	<p>I662 MINI CYLINDER R1012-0025 RB</p>	<p>I662 <i>Ventura</i> POLISH SCANIA OMNICITY DD PS</p>
	<p>K585, K586, K587 REPAIR KIT – VS PKR RODLESS CYLINDERS Ø32x795, Ø32x895, Ø32x730 I486/F922, E820, F168</p>	<p>K585, K586, K587 <i>Ventura</i></p>
	<p>L269 Ø32x1100 DGC RODLESS CYLINDER # BASE CYLINDER OF N013 ASSY</p>	<p>L269 <i>Ventura</i> BLUEBIRD ORION RS PNEU</p>
	<p>M001 Ø32x895 RODLESS CYLINDER LH ASSY</p>	<p>M001 <i>Ventura</i></p>

	<p>M006 Ø63x125 DOOR CYLINDER LH ASSY (IG) with 1 x Reed switches # SEAL REPAIR KIT = M006-RK</p>	<p>M006 <i>Ventura</i> TEMSA SD IG4</p>
 <p><small>DWG: 63_P006 Set of wearing parts</small></p>	<p>M006-RK CYLINDER WEAR PART KIT</p>	<p>M006-RK <i>Ventura</i> TEMSA SD IG4</p>
	<p>M007 Ø63x125 DOOR CYLINDER RH ASSY (IG) with 2 x Reed switches # SEAL REPAIR KIT = M006-RK</p>	<p>M007 <i>Ventura</i> TEMSA SD IG4</p>
	<p>N013 Ø32x1100 RODLESS CYLINDER L # BASE CYLINDER = L269 TDS REFURB SERVICE = N013-RK</p>	<p>N013 <i>Ventura</i> BLUEBIRD ORION RS PNEU EARLY MODELS</p>
 <p><small>IO 8573-1 class 3/2/2</small></p>	<p>N985 Ø63x125str CYLINDER ISO 6431</p>	<p>N985 <i>Ventura</i> WRIGHTBUS NBFL DD IG4 PLAT</p>
	<p>O578 Ø32 x 815str CYLINDER RODLESS SUB TDS REFURB SERVICE = O578-RK</p>	<p>O578 <i>Ventura</i> WRIGHTBUS NBFL DD PS</p>
	<p>P536 Ø50x125str CYLINDER WITH EXT. PISTON</p>	<p>P536 <i>Ventura</i></p>

	<p>P540 Ø50x125str DOOR CYLINDER (IGP) – NO REED SWITCHES REPLACES H836+7 BASE CYLINDER SEAL REPAIR KIT = P540-RK # PROXIMITY REED SWITCH = P539 # NOV17 – BEING REPLACED BY VB2290</p>	<p>P540 <i>Ventura</i> ALL ADL, WRIGHTBUS, MCV IG4</p>
	<p>P540-RK CYLINDER SERIES 62-50 SEAL REPAIR KIT # FOR USE ON: H774, I027, P540, Q097, U343, U344, U345, VB2290</p>	<p>P540-RK <i>Ventura</i> VA2981 <i>Ventura</i></p>
	<p>Q097 (E421) Ø50 x 160str DOOR CYLINDER ASSY (IGP) # SEAL REPAIR KIT = P540-RK</p>	<p>Q097 <i>Ventura</i> POLISH SCANIA OMNICITY DD IG3 (OLD)</p>
	<p>Q632 Elec Actuator 32x1065str</p>	<p>Q632 <i>Ventura</i></p>
	<p>R643 Ø32-RS1100 LH CYLINDER # BASE CYLINDER = Q342 TDS REFURB SERVICE = R643-RK</p>	<p>R643 <i>Ventura</i> BLUEBIRD ORION RS PNEU LATER MODELS</p>
	<p>S234 Ø63 x 125str CYLINDER ASSY WITH EXT PISTON # SEAL REPAIR KIT = VA2982 APR18 > REPLACED BY VB2458</p>	<p>S234 <i>Ventura</i> WRIGHTBUS NBFL DD IG4 PLAT</p>

	<p>S882 CYLINDER 27M2A032A0105</p>	<p>S882 <i>Ventura</i> WRIGHTBUS PS2</p>
	<p>S957 Ø25x 604 STROKE PS2 CYLINDER</p>	<p>S957 <i>Ventura</i></p>
	<p>U343 Ø63 x 125str CYLINDER ASSY WITH EXT PISTON (P540 + 3xP539) # SEAL REPAIR KIT = P540-RK # PROXIMITY REED SWITCH = P539</p>	<p>U343 <i>Ventura</i></p>
	<p>VA1111 SPRING PIN</p>	<p>VA1111 <i>Ventura</i></p>
	<p>VA1280 PS2 CYLINDER ASSY 1200 625 STROKE</p>	<p>VA1280 <i>Ventura</i> ADL E200 MMC</p>
	<p>VA1283 PS2 CYLINDER ASSY 1350 700 STROKE</p>	<p>VA1283 <i>Ventura</i> MCV DD EVOSETI PS2</p>
 PIC TO FOLLOW	<p>VA2982 CYLINDER SERIES 62-63 SEAL REPAIR KIT (Q089, D436, Q088, R668, S234)</p>	<p>VA2981 <i>Ventura</i></p>

	<p>VA3604 Ø32 x 895str RODLESS CYLINDER ASSY # BASE CYLINDER = E328</p>	<p>VA3604 <i>Ventura</i> WRIGHTBUS NBFL RS PLAT</p>
	<p>VA8946 PS2 CYLINDER ASSY 1270</p>	<p>VA8946 <i>Ventura</i></p>
	<p>VB2458 Ø 63 x 125str CYLINDER ASSY WITH EXT PISTON APR18 > REPLACED S234 # PROXIMITY REED SWITCH = P539</p>	<p>VB2458 <i>Ventura</i> WRIGHTBUS NBFL DD IG4 PLAT</p>
	<p>VB2290 Ø50x125str CYLINDER FOR IG DOOR # NOV17 - REPLACES P540, H836+7 BASE CYLINDER SEAL REPAIR KIT = VB3592 # PROXIMITY REED SWITCH = P539</p>	<p>VB2290 <i>Ventura</i> ALL ADL, WRIGHTBUS, MCV IG4</p>