

TDS PRODUCT IMAGE SHEET – CATEGORY > **CYLINDER/RAMS**

Image	TDS Part Number & Description	OE & Alternative Part References (WHERE FITTED)
	<p><b>CYL001A</b>            Ø63=Bore x 85=Stroke            BOSCH PNEUMATIC CYLINDER            (SILVER FINISH)            M16x1.5 MALE ROD END  <b># SEE REPLACEMENT CYL001U-12</b></p>	<p><b>216993-64</b> Peters            LIMITED REFURB STOCK ONLY</p>
	<p><b>CYL001B</b>            Ø63 x 85str            FESTO PNEUMATIC CYLINDER            M16x1.5 MALE ROD END</p>	<p><b>218073</b> Peters            LIMITED REFURB STOCK ONLY</p>
	<p><b>CYL001-RK</b>            Ø63 BORE            CYLINDER SEAL REPAIR KIT            For old Peters Cylinders  <b>216365, 216366, 216367 &amp; 216589</b></p>	<p><b>216366-RK</b> Peters</p>
	<p><b>CYL001U-12</b>            Ø63 x 85str            TDS UNIVERSAL PNEUMATIC CYLINDER            M16x1.5 MALE ROD END  <b># Cylinder seal repair kit for above only = CYL202U-RK</b></p>	<p>CYL001U-12 FOR PETERS CYLINDERS REPLACEMENT:-  <b>214443</b> Peters  <b>216366</b> Peters  <b>216993-64</b> Peters  <b>217430-002</b> Peters</p>
	<p><b>CYL003A</b>            Ø63 x 156str            BOSCH PNEUMATIC CYLINDER            (BRONZE FINISH)            M16x1.5 MALE ROD END  <b># Cylinder seal repair kit for above only = CYL003A</b></p>	<p><b>216993-01</b> Peters  <b>216993-03</b> Peters</p>
	<p><b>CYL003-RK</b>            Ø63 BORE            CYLINDER SEAL REPAIR KIT –            For old Peters            Bosch Bronze finished Cylinders  <b>216993-03, 216993-04</b></p>	<p><b>N/A</b> Peters</p>

	<p><b>CYL004-11</b>          Ø63 x 85str          TDS UNIVERSAL PNEUMATIC CYLINDER KIT.          M16x1.5 MALE ROD END          # Cylinder seal repair kit for above only = CYL200U-RK</p>	<p>TDS CYL004U-11 FOR PETERS CYLINDERS REPLACEMENT:-   <b>216993-04</b> <i>Peters</i>          (EAST LANCS OMNIDEKKA)</p>
	<p><b>CYL005A</b>          Ø63 BORE          CYLINDER SEAL REPAIR KIT –          For old Peters          Bosch Silver Cylinders          216993-64 &amp; 216993-04</p>	<p><b>216993-85</b> <i>Peters</i>  <b>216993-04R</b> <i>Peters</i></p>
	<p><b>CYL007-DNC-KIT</b>          Ø63 x 100str          FESTO PNEUMATIC CYLINDER ASSY          M16x1.5 MALE ROD END          NO REPAIR KIT AVAILABLE</p>	<p><b>CYL007-DNC-KIT</b> <i>TDS</i>          # SEP13 &gt; REPLACED BY CYL007U-11-KIT          (EARLIER TDS DOOR OPTARE VEHICLES)</p>
	<p><b>CYL007U-11</b>          Ø63 x 100str          TDS PNEUMATIC BASE CYLINDER          M16x1.5 MALE ROD END          # Cylinder seal repair kit for above only = CYL203U-RK</p>	<p><b>CYL007-11</b> <i>TDS</i>          # SEP13 &gt; REPLACED CYLINDER ASSY CYL007B with bracket CYL008B          (LATER TDS DOOR OPTARE VEHICLES)</p>
	<p><b>CYL007U-11-KIT</b>          Ø63 x 100str          TDS PNEUMATIC CYLINDER ASSY          M16x1.5 MALE ROD END          # Cylinder seal repair kit for above only = CYL203U-RK</p>	<p><b>CYL007-11-KIT</b> <i>TDS</i>          # SEP13 &gt; REPLACED CYL007-DNC-KIT          #2018 &gt; SEE CYL075U-11          (LATER TDS DOOR OPTARE VEHICLES)</p>
	<p><b>CYL008B</b>          REAR BRACKET Ø16          USED FOR CYL007-DNC-KIT ONLY          TDS Ø63 BORE CYLINDER</p>	<p><b>CYL008B</b> <i>TDS</i>          (EARLIER TDS DOOR OPTARE VEHICLES)</p>
	<p><b>CYL009A</b>          Ø16 x 25str          MINI ISO CYLINDER          NO REPAIR KIT AVAILABLE</p>	<p><b>216993-76</b> <i>Peters</i></p>

	<p><b>CYL010U-11</b>          Ø63 x 125str          TDS UNIVERSAL PNEUMATIC CYLINDER          7/16" UNF FEMALE THREADED END          # Cylinder seal repair kit          for above only = CYL200U-RK</p>	<p>CYL010U-11 FOR DEANS CYLINDERS          REPLACEMENT:-  <b>031130</b> Deans  <b>046101</b> Deans  <b>75-24209</b> Deans</p>
	<p><b>CYL010-RK-KIT</b>          Ø63 BORE          CYLINDER REPAIR KIT          Only for old Deans parker cylinders  <b>031130, 039039 &amp; 046101</b></p>	<p><b>039039</b> Deans</p>
	<p><b>PNE029U-RK</b>          SEAL REPAIR KIT FOR          INTERNAL FLOW CONTROL VALVE          USED ON PARKER CYLINDERS</p> 	<p><i>Deans/Peters</i></p>
	<p><b>BRK011-ADJ</b>          REAR BRACKET Ø16          For Ø63 bore CYLINDER: <b>CYL010U</b>          older design deans 046101</p>	<p><b>BRK011-ADJ</b> TDS</p>
	<p><b>BRK046-ASY</b>          REAR BRACKET Ø12 (V.S)          Rubber Bush          for Ø50 Bore Cylinder+ M8 Fixings</p>	<p><b>BRK046-ASY</b> TDS</p>
	<p><b>CYL011U</b>          Ø63 x 75str          TDS UNIVERSAL PNEUMATIC CYLINDER          M16x1.5 MALE ROD END          # Cylinder seal repair kit          for above only = CYL202U-RK</p>	<p>CYL011U FOR PETERS CYLINDER          REPLACEMENT:-  <b>214442</b> Peters</p>
	<p><b>CYL011U-12</b>          Ø63 x 75str          TDS UNIVERSAL PNEUMATIC CYLINDER          M16x1.5 MALE ROD END          # Cylinder seal repair kit          for above only = CYL202U-RK</p>	<p>CYL011U-12 FOR PETERS CYLINDER          REPLACEMENT:-  <b>200551</b> Peters  <b>214442</b> Peters  <b>217430-001</b> Peters</p>

	<p align="center"><b>CYL013U</b>          Ø63 x 125str          TDS UNIVERSAL PNEUMATIC CYLINDER          M16x1.5 MALE ROD END          # Cylinder seal repair kit          for above only = CYL202U-RK</p>	<p align="center">CYL013U FOR PETERS CYLINDER          REPLACEMENT:-  <b>214444</b> <i>Peters</i></p>
	<p align="center"><b>CYL014-RK-KIT</b>          Ø63 BORE          FULL CYLINDER SEAL REPAIR KIT          Only for old Deans parker cylinders  <b>031129 &amp; 046098</b></p>	<p align="center"><b>046097</b> <i>Deans</i></p>
	<p align="center"><b>CYL021U-11</b>          Ø63 x 76str          TDS UNIVERSAL PNEUMATIC CYLINDER          7/16" UNF FEMALE THREADED END          # Cylinder seal repair kit          for above only = CYL200U-RK</p>	<p align="center">CYL021U-11 FOR DEANS CYLINDERS          REPLACEMENT:-  <b>C23267</b> <i>Deans</i>  <b>024208</b> <i>Deans</i>  <b>031129</b> <i>Deans</i>  <b>046098</b> <i>Deans</i></p>
	<p align="center"><b>CYL021U-14</b>          Ø63 x 76str          TDS UNIVERSAL PNEUMATIC CYLINDER          7/16" UNF FEMALE THREADED END          # Cylinder seal repair kit          for above only = CYL200U-RK</p>	<p align="center">CYL021U-14 FOR DEANS CYLINDERS          REPLACEMENT:-  <b>D18541</b> <i>Deans</i>  <i>018541</i></p>
	<p align="center"><b>CYL022U-11</b>          Ø63 x 80str RP=345          TDS UNIVERSAL PNEUMATIC CYLINDER          M12x1.75 FEMALE THREADED END          # Cylinder seal repair kit          for above only = CYL200U-RK</p>	<p align="center">CYL022U-11 FOR OVERTON &amp; KV          CYLINDERS REPLACEMENT:-  <b>KNSC 063 058 080</b>  <i>Overton</i></p>
	<p align="center"><b>CYL024U-11</b>          Ø63 x 100str RP=365          TDS UNIVERSAL PNEUMATIC CYLINDER          M12x1.75 FEMALE THREADED END          # Cylinder seal repair kit          for above only = CYL202U-RK</p>	<p align="center">CYL024U-11 FOR OVERTON/KNSC          CYLINDERS REPLACEMENT:-  <i>Overton</i>  <b>KNSC 063 054 0100</b>  <b>KNSC 063 120 0100</b>  <b>KNSC 063 084 0100</b>  <b>KNSC 063 058 0100</b>  <b>KNSC 063 058 0114</b></p>

	<p><b>CYL024U-11-01</b>          Ø63 x 100str RP=365          TDS UNIVERSAL PNEUMATIC CYLINDER          M12x1.75 FEMALE SPH ROD END          # Cylinder seal repair kit          for above only = CYL202U-RK</p>	<p>CYL024U-11-01 FOR ISAF          CYLINDERS REPLACEMENT:-  <b>2911.01.0</b> ISAF          (USED ON ISAF DOOR IN          OPTARE VEHICLES)</p>
	<p><b>CYL026U</b>          Ø63 x 156str          TDS UNIVERSAL PNEUMATIC CYLINDER          M10x1.5 FEMALE THREADED END          # Cylinder seal repair kit          for above only = CYL202U-RK</p>	<p>CYL026U FOR PETERS          CYLINDERS REPLACEMENT:-  <b>215011</b> Peters  <b>215046</b> Peters</p>
	<p><b>CYL026U-12</b>          Ø63 x 156str          TDS UNIVERSAL PNEUMATIC CYLINDER          M10x1.5 FEMALE THREADED END          # Cylinder seal repair kit          for above only = CYL202U-RK</p>	<p>CYL026U-12 FOR PETERS          CYLINDERS REPLACEMENT:-  <b>216367</b> Peters</p>
	<p><b>CYL027U</b>          Ø63 x 125str          TDS UNIVERSAL PNEUMATIC CYLINDER          M10x1.5 FEMALE THREADED END          # Cylinder seal repair kit          for above only = CYL202U-RK</p>	<p>CYL027U FOR PETERS          CYLINDERS REPLACEMENT:-  <b>214853</b> Peters</p>
	<p><b>CYL028U-KIT</b>          Ø50 x 90str          TDS UNIVERSAL PNEUMATIC CYLINDER          M14x1.5 MALE ROD END          Supplied with proximity switch mount          clips &amp; M14x1.5 nuts          # Cylinder seal repair kit          for above only = CYL201U-RK</p>	<p>CYL028U-KIT FOR DEANS          CYLINDERS REPLACEMENT:-  <b>0101517</b> Deans          BELT DRIVE VERSION  <b>H108167</b> Deans</p>
	<p><b>CYL029U-KIT</b>          Ø50 x 140str          TDS UNIVERSAL PNEUMATIC CYLINDER          M14x1.5 MALE ROD END          Supplied with proximity switch mount clips          # Cylinder seal repair kit          for above only = CYL201U-RK</p>	<p>CYL029U-KIT FOR DEANS          CYLINDERS REPLACEMENT:-  <b>0101538</b> Deans  <b>H108271</b> Deans</p>
	<p><b>CYL030U-11</b>          Ø63 x 76str          TDS PNEUMATIC CYLINDER+BRKT          M12x1.75 FEMALE THREADED END          # Cylinder seal repair kit          for above only = CYL202U-RK</p>	<p><b>CYL030-11</b> TDS          (DENNIS EAGLE DUSTCART)</p>

	<p><b>CYL034U-11</b>          Ø63 x 80str RP365          TDS UNIVERSAL PNEUMATIC CYLINDER          M12x1.75 FEMALE THREADED END          # Cylinder seal repair kit          for above only = CYL202U-RK</p>	<p>CYL034U-11 FOR OVERTON &amp; KV          CYLINDERS REPLACEMENT:-   <b>KNSC 063 056 080</b>  <i>Overton</i></p>
	<p><b>CYL035U-11-KIT</b>          Ø63 x 76str          TDS PNEUMATIC CYLINDER ASSY          M16x1.5 MALE ROD END          # Cylinder seal repair kit          for above only = CYL203U-RK</p>	<p><b>CYL035-11-KIT</b> TDS          (OPTARE SOLO SA          EXPORT EXIT DR)</p>
	<p><b>CYL037U-11</b>  <b>OLD STYLE UP TO 20.05.2016</b>          Ø63 x 150str          TDS UNIVERSAL PNEUMATIC CYLINDER          M12x1.75 FEMALE THREADED END          # Cylinder seal repair kit          for above only = CYL202U-RK</p>	<p><b>0101495</b> <i>Deans</i></p>
	<p><b>CYL037U-11</b>          Ø63 x 150str          TDS UNIVERSAL PNEUMATIC CYLINDER          M12x1.75 FEMALE THREADED END  <b>FROM 23.05.2016</b>          # Cylinder seal repair kit          for above only = CYL200U-RK</p>	<p>CYL037U-11 FOR DEANS          CYLINDERS REPLACEMENT:-  <b>0101495</b> <i>Deans</i></p>
	<p><b>CYL041</b>          Ø100 BORE          BODE VERTICAL CYLINDER          # Cylinder seal repair kit          for above only = CYL041-RK          Cylinder replaced by  <b>CYL058 a MASATS cylinder 101102DO</b></p>	<p><b>720-2002-301</b> <i>Bode</i></p>
	<p><b>CYL041-RK</b>          Ø100 BORE          BODE OR MASATS CYLINDER REPAIR KIT          Only for cylinders  <b>720-202-301, CYL041</b></p>	<p>For use on Cylinders &gt;  <b>720-2002-301</b>  <i>Bode Masats</i></p>
	<p><b>CYL042-RK</b>          Ø50 BORE          CYLINDER REPAIR KIT -(PARKER)          Only for Deans parker cylinders  <b>0101517, H108167,          0101538, H108271</b></p>	<p><i>Deans</i></p>

	<p><b>CYL045B</b>          Ø32 x 80str          O.E CYLINDER COMPACT          (PETERS PLUG SLIDER)          # RODEND = BRG085</p>	<p><b>218073-010</b> <i>Peters</i>          EAST LANCS DD</p>
	<p><b>CYL046</b>          Ø40 x 115str          O.E ISO CYLINDER(DEANS PLUG SLIDER)</p>	<p><b>0100316</b> <i>Deans</i>          ADL E200</p>
	<p><b>CYL050-100-01</b>          12V x 100 E-DRIVE CYLINDER ASSY          (INCL RODEND/PULLEY/PLATE)</p>	<p><b>CYL050-100-01</b> <i>TDS</i>          TREKA BUS 16</p>
	<p><b>CYL053-01</b>          Ø50 x 140str          WABCO U-BOLT CYLINDER          M14x1.5 MALE ROD END          # Cylinder seal repair kit          for above only = CYL053-01RK</p>	<p><b>422-812-0000</b> <i>Wabco</i>          CITARO</p>
	<p><b>CYL053-01RK</b>          Ø50 BORE          CYLINDER REPAIR KIT          For WABCO U-bolt type cylinder          CYL053-01</p>	<p><b>422-812-0002</b> <i>Wabco</i>          CITARO</p>
	<p><b>CYL054U</b>          Ø63 x 125str          TDS UNIVERSAL PNEUMATIC CYLINDER          M16x1.5 MALE ROD END          # Cylinder seal repair kit          for above only = CYL202U-RK</p>	
	<p><b>CYL058</b>          Ø100 BORE          MASATS VERTICAL CYLINDER          (CYL058 REPLACES CYL041U)          # Cylinder seal repair kit          for above = (CYL058-RK) Now use          CYL041RK</p>	<p><b>101102D0</b> <i>Masats</i></p>

 <p>IMAGE TO FOLLOW</p>	<p><b>CYL058-RK</b>          Ø100 BORE          CYLINDER SEAL REPAIR KIT          for MASATS Cylinder 101102DO  <b>*USE CYL041-RK*</b></p>	<p><b>1111DOD</b> Masats</p>
	<p><b>CYL059</b>          Ø60 x 140str CYLINDER          WABCO U-BOLT TYPE          M16x1.5 MALE ROD END          NO REPAIR KIT AVAILABLE</p>	<p><b>422 808 1060</b> Wabco</p>
	<p><b>CYL065</b>          PNEUMATIC CYLINDER FOR LOCK SYSTEM</p>	<p><b>120016CO</b> Masats</p>
	<p><b>CYL068</b>          NIGHT LOCK CYLINDER</p>	<p><b>130022CO</b> Masats</p>
	<p><b>CYL069</b>          Ø80 x 142str CYLINDER          # Cylinder seal repair kit          for above only = CYL069-RK</p>	<p><b>180142H0</b> Masats</p>
	<p><b>CYL069-RK</b>          Ø80 BORE CYLINDER SEAL REPAIR KIT          for cylinder 180142H0</p>	<p><b>1009700C</b> Masats</p>
	<p><b>CYL070-RK</b>          Ø32 BORE LOCKING          CYLINDER SEAL REPAIR KIT –          MASATS LOCKING CYLINDER</p>	<p><b>1003620A</b> Masats</p>



	<p><b>CYL071U</b>          Ø63 x 156str          TDS PNEUMATIC BASE CYLINDER          FEMALE M12x1.75 THREADED END          # Cylinder seal repair kit          for above only = CYL202U-RK</p>	<p><b>CYL075U</b> TDS</p>
	<p><b>CYL075U-11</b>          Ø63 x 100str          TDS PNEUMATIC BASE CYLINDER          M16x1.5 MALE ROD END          # Cylinder seal repair kit          for above only = CYL202U-RK</p>	<p><b>CYL075U-11</b> TDS          # MAR18 &gt; REPLACED CYL007U-11          (LATER TDS DOOR OPTARE          VEHICLES)</p>
	<p><b>CYL075U-11-KIT</b>          Ø63 x 100str          TDS PNEUMATIC CYLINDER ASSY          M16x1.5 MALE ROD END          # Cylinder seal repair kit          for above only = CYL202U-RK</p>	<p><b>CYL075U-11-KIT</b> TDS          # MAR18 &gt; REPLACED CYL007U-11-KIT          (LATER TDS DOOR OPTARE          VEHICLES)</p>
	<p><b>CYL078</b>          Ø125 RACK &amp; PINION PNEUMATIC          CYLINDER          # Cylinder seal repair kit          for above only = CYL079-RK</p>	<p><b>102147A0</b> Masats</p>
		
	<p><b>CYL079</b>          MASATS CYLINDER 120016A0</p>	<p><b>120016A0</b> Masats</p>
	<p><b>CYL079-RK</b>          Ø125 Bore rack &amp; pinion Cylinder          seal repair kit for  <b>CYL078 Cylinder :102147A0)</b></p>	<p><b>1009202A</b> Masats</p> 

	<p><b>CYL080-RK</b>          Ø100 Bore rack &amp; pinion cylinder repair kit for  <b>BODE 720-3036-101</b>  <b>BODE 720-3036-201</b>  <b>MASATS 101154CO</b></p>	<p><b>1009107B</b> <i>Masats</i></p> <hr style="border-top: 1px dashed black;"/> 
 <p style="text-align: center; font-size: small;">CYL200U-RK</p>	<p><b>CYL200U-RK</b>          Ø63 Bore TDS universal cylinder seal repair kit <b>ONLY</b> for models:  <b>CYL004U, CYL010U, CYL021U, CYL022U, CYL030U, CYL033U, CYL037U, CYL049U</b></p>	<p><b>CYL200U-RK</b> <i>TDS</i></p>
 <p style="text-align: center; font-size: small;">CYL201-RK</p>	<p><b>CYL201U-RK</b>          Ø50 Bore TDS universal cylinder seal repair kit <b>ONLY</b> for models:  <b>CYL028U, CYL029U</b></p>	<p><b>CYL201U-RK</b> <i>TDS</i></p>
	<p><b>CYL202U-RK</b>          Ø63 Bore TDS universal cylinder seal repair kit <b>ONLY</b> for models:  <b>CYL001U, CYL011U, CYL013U, CYL024U, CYL026U, CYL027U, , CYL034U, CYL038U, CYL039U, CYL054U, CYL057U, CYL071U</b></p>	<p><b>CYL202U-RK</b> <i>TDS</i></p>
 <p style="text-align: center;">IMAGE TO FOLLOW</p>	<p><b>CYL203U-RK</b>          Ø63 Bore TDS universal cylinder seal repair kit <b>ONLY</b> for models:  <b>CYL007U, CYL035U, CYL048U</b></p>	<p><b>CYL203U-RK</b> <i>TDS</i></p>
	<p><b>CYL240-450</b>          Ø40 x 450 STROKE          RODLESS CYLINDER          (PETERS PLUG SLIDER)</p>	<p><b>218073-011</b> <i>Peters</i>  <b>EAST LANCS DD</b></p>
	<p><b>CYL240-535-RK</b>          Ø40 x 535 STROKE          RODLESS CYLINDER  <b>REFURBISHED UNIT</b>  <b>(ORIGINAL DIRTY UNIT NEEDED)</b>  <b># SEAL REPAIR KIT = CYL240-RK</b></p>	<p><b>0101621</b> <i>Deans</i>  <b>ADL E200 SD</b></p>

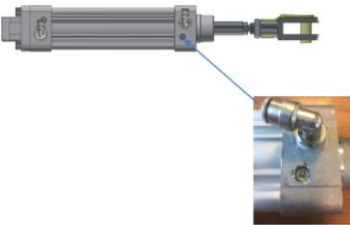



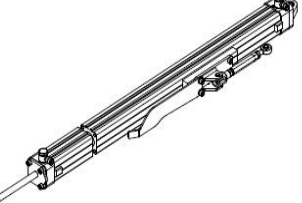

	<p><b>CYL240-615-RK</b>          Ø40 x 615 STROKE          RODLESS CYLINDER          REFURBISHED UNIT          (ORIGINAL DIRTY UNIT NEEDED)          # SEAL REPAIR KIT = CYL240-RK</p>	<p><b>0108290</b> <i>Deans</i></p>
	<p><b>CYL240-RK</b>          CYLINDER SEAL/BAND FULL REPAIR KIT -          PKR RODLESS 40BORE</p>	<p>Repair Kits for &gt;  <b>0101621</b> <i>Deans</i>  <b>0108290</b> <i>Deans</i></p>
	<p><b>CYL400-001</b>          12v GEAR BOX-ASSY 700232-T2</p>	<p><b>B700232</b> <i>BCE</i></p>
	<p><b>KIT013</b>          ACTUATOR REAR FIXING KIT A</p>	<p><b>KIT013</b> <i>TDS</i></p>
	<p><b>A723</b>          FORK JOINT 16x32 M16          IG CYLINDERS</p>	<p><b>A723</b> <i>Ventura</i>          ALL IG CYLINDERS</p>
	<p><b>A725</b>          SPRING PIN          (USED ON FORK A723)</p>	<p><b>A725</b> <i>Ventura</i>          ALL IG CYLINDERS</p>
	<p><b>C290</b>          FORK JOINT</p>	<p><b>C290</b> <i>Ventura</i></p>

	<p><b>C434</b> Ø32x730 BASE PS RODLESS CYLINDER (used for D622/F168)</p>	<p><b>C434</b> <i>Ventura</i></p>
	<p><b>D436</b> Ø63x160 ASSY CYLINDER (IG) # SEAL REPAIR KIT = VA2982</p>	<p><b>D436</b> <i>Ventura</i></p>
	<p><b>D622</b> Ø32x1170 RODLESS CYLINDER ASSY (PS)</p>	<p><b>D622</b> <i>Ventura</i> PLAXTON PRESIDENT DD PS</p>
	<p><b>E321</b> Ø32x100 CYLINDER ISO-VDMA</p>	<p><b>E321</b> <i>Ventura</i> ADLE200EV, Polish Scania Omnicity DD IG3 (OLD)</p>
	<p><b>E328</b> Ø32x895 BASE RODLESS CYLINDER (E820/VA3604)</p>	<p><b>E328</b> <i>Ventura</i> WRIGHTBUS ECLIPSE SD PS + GEMINI DD PS (LATER) + STREETLITE SD PS + STREETCAR PS, NBFL RS OPTARE TEMPO SD PS</p>
	<p><b>E820</b> Ø32x895 ASSY RODLESS CYLINDER (PS) TDS REFURB SERVICE = E820-RK # BASE CYLINDER = E328 # SEAL REPAIR KIT = K586</p>	<p><b>E820</b> <i>Ventura</i> WRIGHTBUS ECLIPSE SD PS + GEMINI DD PS (LATER) + STREETLITE SD PS + STREETCAR PS, OPTARE TEMPO SD PS</p>
	<p><b>F168</b> Ø32x730 ASSY RODLESS CYLINDER (PS) TDS REFURB SERVICE = F168-RK # SEAL REPAIR KIT = K587</p>	<p><b>F168</b> <i>Ventura</i> WRIGHTBUS GEMINI DD PS (OLDER)</p>


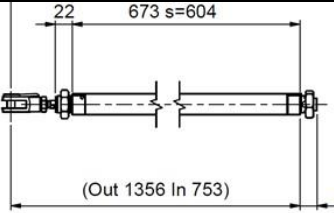
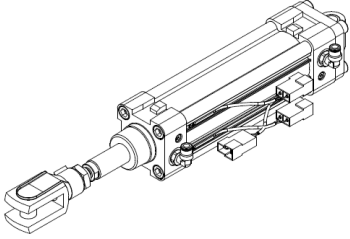

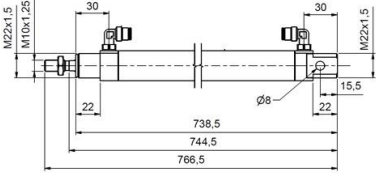
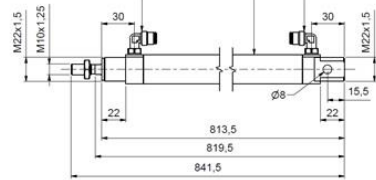

	<p><b>F922</b>          Ø32x795 ASSY          RODLESS CYLINDER (PS)          TDS REFURB SERVICE = F922-RK          # SEAL REPAIR KIT = K585</p>	<p><b>F922</b> <i>Ventura</i>          POLISH SCANIA OMNICITY DD PS</p>
	<p><b>G920</b>          RODLESS CYLINDER ASSY</p>	<p><b>G920</b> <i>Ventura</i></p>
	<p><b>H836-RK</b>          Ø50 BORE SEAL REPAIR KIT FOR FESTO          CYLINDERS &gt;          H774, H836, H837</p>	<p><b>H836-RK</b> <i>Ventura</i>          ALL IG DOORS PRE 2011</p>
	<p><b>H836</b>          Ø50x125          IG DOOR CYLINDER LH ASSY          # NEW ASSY P/N = U345          # FESTO SEAL REPAIR KIT          = H836-RK</p>	<p><b>H836</b> <i>Ventura</i>          BASE CYL REPLACED BY P540          SEP11 &gt;          WRIGHTBUS ECLIPSE SD IG3 +          GEMINI DD IG3, ADL E200 SD IG3 +          E300 SD IG3 + E400 DD IG3, EAST          LANCS SD IG3 + OLYMPUS DD IG3,          MCV SD 112/124RLE IG4</p>
	<p><b>H837</b>          Ø50x125          IG DOOR CYLINDER RH ASSY          # NEW ASSY P/N = U344          # FESTO SEAL REPAIR KIT          = H836-RK</p>	<p><b>H837</b> <i>Ventura</i>          BASE CYL REPLACED BY P540          SEP11 &gt;          WRIGHTBUS ECLIPSE SD IG3 +          GEMINI DD IG3, ADL E200 SD IG3 +          E300 SD IG3 + E400 DD IG3, EAST          LANCS SD IG3 + OLYMPUS DD IG3,          MCV SD 112/124RLE IG4</p>
	<p><b>H840</b>          Ø63x250          DOOR CYLINDER ASSY (IG3)</p>	<p><b>H840</b> <i>Ventura</i></p>
	<p><b>H895</b>          Ø25x25          MINI CYLINDER ESN-25-25-P          (5102)</p>	<p><b>H895</b> <i>Ventura</i></p>

	<p><b>I027</b>          Ø50x125 CUSH EXTEN          DOOR CYLINDER ASSY (IGP)          # REPLACED BY P540          # SEAL REPAIR KIT = H836-RK</p>	<p><b>I027</b> <i>Ventura</i>          POLISH SCANIA OMNICITY DD IG3          (LATER)</p>
	<p><b>I486</b>          Ø32x795          RODLESS CYLINDER ASSY (PSP)          TDS REFURB SERVICE = I486-RK          # SEAL REPAIR KIT = K585</p>	<p><b>I486</b> <i>Ventura</i>          ADL E200 SD PS + E400 DD PS,          EAST LANCS SD PS + OLYMPUS DD          PS, OPTARE VERSA SD PS, MCV          EVOLUTION SD PS</p>
	<p><b>I662</b>          MINI CYLINDER          R1012-0025 RB</p>	<p><b>I662</b> <i>Ventura</i>          POLISH SCANIA OMNICITY DD PS</p>
	<p><b>K585, K586, K587</b>          REPAIR KIT – VS PKR RODLESS CYLINDERS          Ø32x795, Ø32x895, Ø32x730          I486/F922, E820, F168</p>	<p><b>K585, K586, K587</b>  <i>Ventura</i></p>
	<p><b>L269</b>          Ø32x1100 DGC          RODLESS CYLINDER          # BASE CYLINDER OF N013 ASSY</p>	<p><b>L269</b> <i>Ventura</i>          BLUEBIRD ORION RS PNEU</p>
	<p><b>M001</b>          Ø32x895          RODLESS CYLINDER LH ASSY</p>	<p><b>M001</b> <i>Ventura</i></p>

	<p><b>M006</b>          Ø63x125          DOOR CYLINDER LH ASSY (IG)          with 1 x Reed switches          # SEAL REPAIR KIT = M006-RK</p>	<p><b>M006</b> <i>Ventura</i>          TEMSA SD IG4</p>
 <p><small>DWG: 63_P006 Set of wearing parts</small></p>	<p><b>M006-RK</b>          CYLINDER WEAR PART KIT</p>	<p><b>M006-RK</b> <i>Ventura</i>          TEMSA SD IG4</p>
	<p><b>M007</b>          Ø63x125          DOOR CYLINDER RH ASSY (IG)          with 2 x Reed switches          # SEAL REPAIR KIT = M006-RK</p>	<p><b>M007</b> <i>Ventura</i>          TEMSA SD IG4</p>
	<p><b>N013</b>          Ø32x1100 RODLESS CYLINDER L          # BASE CYLINDER = L269          TDS REFURB SERVICE = N013-RK</p>	<p><b>N013</b> <i>Ventura</i>          BLUEBIRD ORION RS PNEU          EARLY MODELS</p>
 <p><small>IO 8573-1 class 3/2/2</small></p>	<p><b>N985</b>          Ø63x125str          CYLINDER ISO 6431</p>	<p><b>N985</b> <i>Ventura</i>          WRIGHTBUS NBFL DD IG4 PLAT</p>
	<p><b>O578</b>          Ø32 x 815str          CYLINDER RODLESS SUB          TDS REFURB SERVICE = O578-RK</p>	<p><b>O578</b> <i>Ventura</i>          WRIGHTBUS NBFL DD PS</p>
	<p><b>P536</b>          Ø50x125str CYLINDER          WITH EXT. PISTON</p>	<p><b>P536</b> <i>Ventura</i></p>

	<p><b>P540</b>          Ø50x125str          DOOR CYLINDER (IGP) –  <b>NO REED SWITCHES</b>          REPLACES H836+7 BASE CYLINDER          SEAL REPAIR KIT = P540-RK          # PROXIMITY REED SWITCH = P539          # NOV17 – BEING REPLACED BY  <b>VB2290</b></p>	<p><b>P540</b> <i>Ventura</i>          ALL ADL, WRIGHTBUS, MCV IG4</p>
	<p><b>P540-RK</b>          CYLINDER SERIES 62-50 SEAL REPAIR KIT          (P540, Q097, U343)</p>	<p><b>P540-RK</b> <i>Ventura</i>  <b>VA2981</b> <i>Ventura</i></p>
	<p><b>Q097</b> (E421)          Ø50 x 160str          DOOR CYLINDER ASSY (IGP)          # SEAL REPAIR KIT = P540-RK</p>	<p><b>Q097</b> <i>Ventura</i>          POLISH SCANIA OMNICITY DD IG3          (OLD)</p>
	<p><b>Q632</b>          Elec Actuator 32x1065str</p>	<p><b>Q632</b> <i>Ventura</i></p>
	<p><b>R643</b>          Ø32-RS1100 LH CYLINDER          # BASE CYLINDER = Q342          TDS REFURB SERVICE = R643-RK</p>	<p><b>R643</b> <i>Ventura</i>          BLUEBIRD ORION RS PNEU          LATER MODELS</p>
	<p><b>S234</b>          Ø63 x 125str          CYLINDER ASSY WITH EXT PISTON          # SEAL REPAIR KIT = VA2982          APR18 &gt; REPLACED BY VB2458</p>	<p><b>S234</b> <i>Ventura</i>          WRIGHTBUS NBFL DD IG4 PLAT</p>



	<p><b>S882</b> CYLINDER 27M2A032A0105</p>	<p><b>S882</b> <i>Ventura</i> <b>WRIGHTBUS PS2</b></p>
	<p><b>S957</b> Ø25x 604 STROKE PS2 CYLINDER</p>	<p><b>S957</b> <i>Ventura</i></p>
	<p><b>U343</b> Ø63 x 125str CYLINDER ASSY WITH EXT PISTON (P540 + 3xP539)  # SEAL REPAIR KIT = P540-RK # PROXIMITY REED SWITCH = P539</p>	<p><b>U343</b> <i>Ventura</i></p>
	<p><b>VA1111</b> SPRING PIN</p>	<p><b>VA1111</b> <i>Ventura</i></p>
	<p><b>VA1280</b> PS2 CYLINDER ASSY 1200 625 STROKE</p>	<p><b>VA1280</b> <i>Ventura</i> <b>ADL E200 MMC</b></p>
	<p><b>VA1283</b> PS2 CYLINDER ASSY 1350 700 STROKE</p>	<p><b>VA1283</b> <i>Ventura</i> <b>MCV DD EVOSETI PS2</b></p>
 PIC TO FOLLOW	<p><b>VA2982</b> CYLINDER SERIES 62-63 SEAL REPAIR KIT (Q089, D436, Q088, R668, S234)</p>	<p><b>VA2981</b> <i>Ventura</i></p>

	<p><b>VA3604</b>          Ø32 x 895str          RODLESS CYLINDER ASSY          # BASE CYLINDER = E328</p>	<p><b>VA3604</b> <i>Ventura</i>          WRIGHTBUS NBFL RS PLAT</p>
	<p><b>VA8946</b>          PS2 CYLINDER ASSY 1270</p>	<p><b>VA8946</b> <i>Ventura</i></p>
	<p><b>VB2458</b>          Ø 63 x 125str CYLINDER ASSY          WITH EXT PISTON          APR18 &gt; REPLACED S234          # PROXIMITY REED SWITCH = P539</p>	<p><b>VB2458</b> <i>Ventura</i>          WRIGHTBUS NBFL DD IG4 PLAT</p>
	<p><b>VB2290</b>          Ø50x125str          CYLINDER FOR IG DOOR          # NOV17 - REPLACES P540, H836+7 BASE          CYLINDER          SEAL REPAIR KIT = VB3592          # PROXIMITY REED SWITCH = P539</p>	<p><b>VB2290</b> <i>Ventura</i>          ALL ADL, WRIGHTBUS, MCV IG4</p>